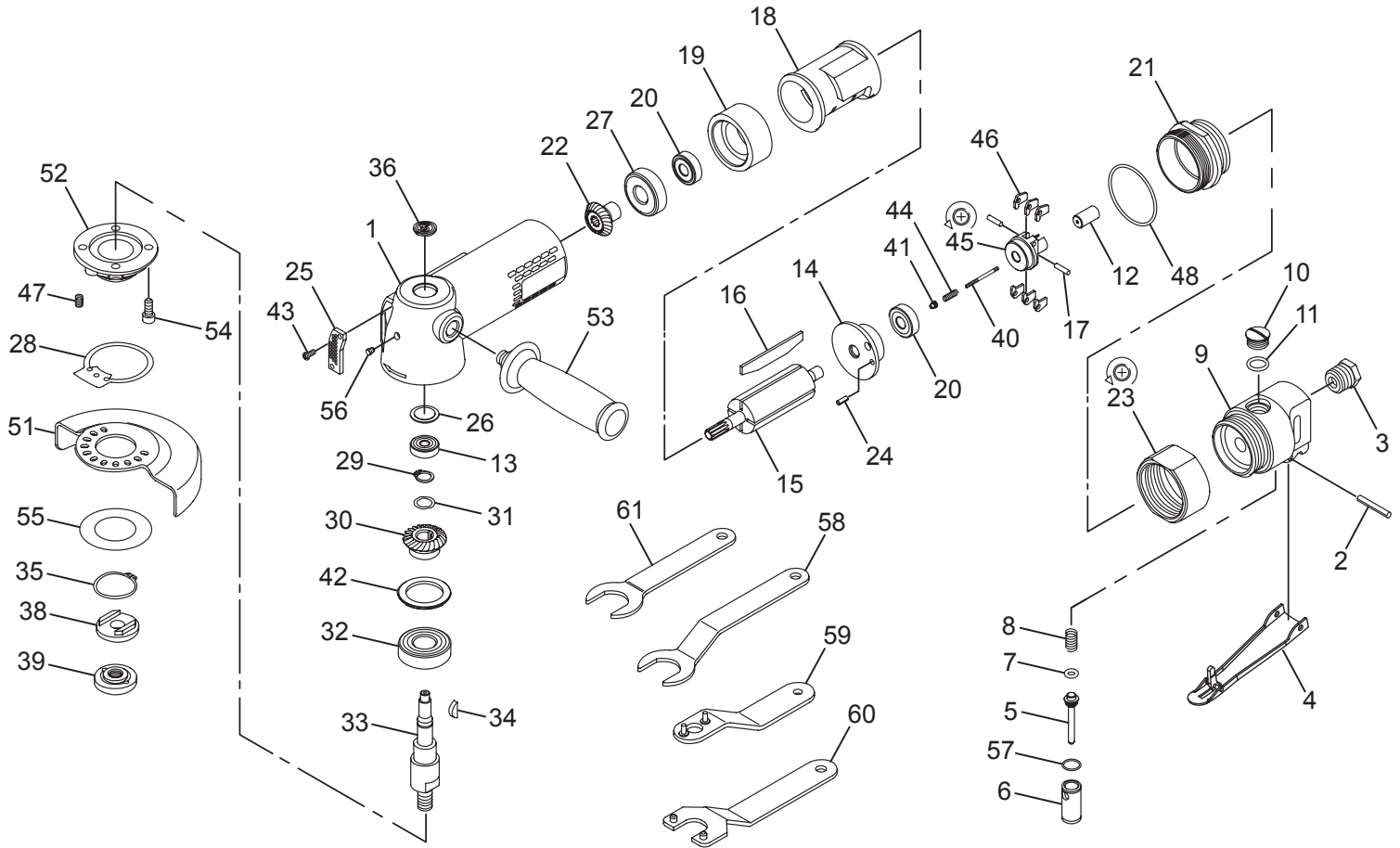




Chicago Pneumatic

CP9120, CP9121 & CP9122 Series 4", 5" & 4-1/2" Angle Grinders



Item No.	Parts No.	Description	Qty
1	2050533803	Motor Housing	1
2	2050484613	Spring Pin (4x28)	1
3	2050484083	Air Inlet	1
4	2050484623	Throttle Lever	1
5	2050484633	Valve Shaft	1
6	2050484643	Bushing	1
7	2050533813	O-Ring (9, 8x1.9)	1
8	2050484663	Valve Spring	1
9	2050533823	Throttle Valve Housing	1
10	2050533833	Throttle Lever Plug	1
11	2050485153	O-Ring (9, 8x1.9)	1
12	2050484693	Plunger	1
13	2050486913	Ball Bearing (626zz)	1
14	2050484703	Rear End Plate	1
15	2050484713	Rotor	1
16	2050484723	Blade Set (x4 pcs)	1
17	2050487003	Spring Pin (3x12)	2
18	2050484733	Cylinder	1
19	2050484743	Front End Plate	1
20	2050486823	Ball Bearing (608zz)	2
21	2050533843	Lock Nut	1
22	2050484763	Bevel Gear	1
23	2050533853	Coupling Nut	1
24	2050487013	Spring Pin (3x8)	1
25	2050484783	Deflector	1
26	2050484793	Spacer	1
27	2050486953	Ball Bearing (6201zz)	1
28	2050533863	Lock Ring	1
29	2050484573	Retainer Ring (STW-10)	1
30	2050533873	Bevel Gear	1
31	2050484823	Wave Washer	1
32	2050486883	Ball Bearing	1
33	2050533883	Spindle (3/8"-24) for CP9120CR, CP9121CR, CP9122CR	1
	2050533893	Spindle M14 x 2 for CP9121AR	1
	2050535053	Spindle (5/8"-11) for CP9121BR & CP9122BR	1
34	2050484843	Key	1
35	2050533903	Retainer Ring (STW-27)	1
36	2050533913	CP Logo Ring (15mm)	1
38	6155031630	Flange (3/18"-24) for CP9120CR	1
	6155031590	Flange (M14*2) for CP9121AR	1
	2050533943	Flange (3/8"-24 UNF) for CP9121CR & CP9122CR	1
	6155031600	Flange (5/8"-11) for CP9121BR & CP9122BR	1

Item No.	Parts No.	Description	Qty
39	6156060430	Flange Nut (3/8"-24) for CP9120CR	1
	6155020770	Flange Nut (M14x2) for CP9121AR	1
	2050533973	Flange Nut (3/8"-24) for CP9121CR & CP9122CR	1
	6155020780	Flange Nut (5/8"-11) for CP9121BR & CP9122BR	1
40	2050484903	Adjust Screw	1
41	2050484913	Adjust Nut	1
42	2050533983	Spacer	1
43	2050484193	Screw (TS2.9)	2
44	2050484933	Spring Pin	1
45	2050484943	Governor	1
46	2050484953	Pendulum	6
47	2050533993	Spring	1
48	2050484963	O-Ring (37, 8x1, 78)	1
51	2050534003	4" Disc Guard for CP9120 Series	1
	2050534013	4 1/2" Disc Guard for CP9122 Series	1
	2050534023	5" Disc Guard for CP9121 Series	1
52	2050534053	Bearing Cap	1
53	2050524063	Side Handle	1
54	2050534063	Screw (M5x12)	4
55	2050534073	Spacer	1
56	2050534083	Oil Cap	1
57	2050484483	O-Ring (10, 5x1)	1
58	2050534043	Spanner (24 mm)	1
59	2050485003	Pin Wrench for CP9120CR	1
60	2050486673	Pin Wrench for CP9121 & CP9122 Series	1
61	2050534033	Spanner (21 mm)	1
	2050504823	Tune-up Kit (Incl: Index No. 7, 8, 11, 16, 20)	
	2050504833	Bevel Gear Kit (Incl: Index No. 13, 22, 24, 27, 29, 30, 31, 32, 34)	

	8940167754	Operator's Manual
	6158727980 6158726900 6158727560	Warning Labels
	6159948760	Safety Instructions

Spare parts without part number are not sold separately - High wear parts underlined
Contact us at www.cp.com